

**COMPRESSOR**

Displacement (cm <sup>3</sup> )	4.5
Diameter (mm)	22.0
Stroke (mm)	11.83
Net Weight (Kg)	10.1
Oil type	ISO VG 46 ESTER
Oil charge (cm <sup>3</sup> )	300

**MOTOR**

Approximate Power (CV)	1/5
Voltage/Frequency (V/Hz)	220V 50Hz
Voltage range (V)	187-264
Code	62.064
Type	CSIR
Phase number	1 PH
Locked rotor current (A)	9.5
Main W. resist. at 25°C (Ω)	10.71
Start W. resist. at 25°C (Ω)	43.84

**APPLICATION**

Application	High/Mid. back pressure
Refrigerant	R404A
Evaporating (°C)	-25 to 10
Expansion	Capillar/Valve
Comp. cooling	Fan cooled
Max. ambient temp. (°C)	43

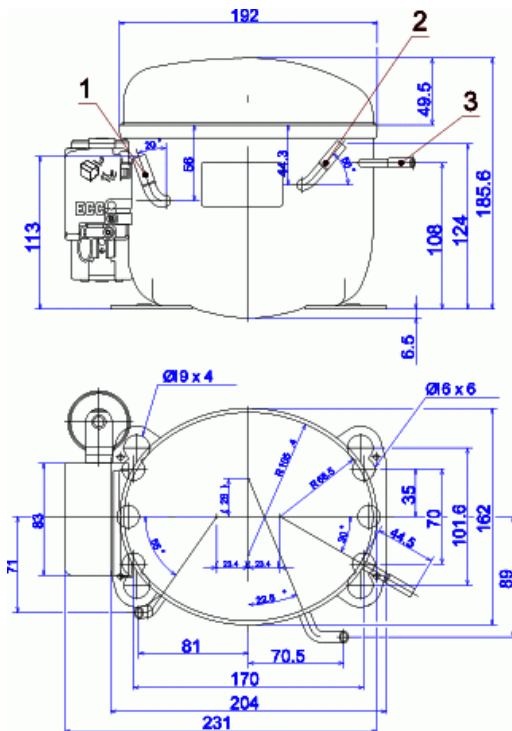
NOMINAL PERFORMANCE	CYCLE C	CYCLE D
Cooling capacity (kcal/h)	454	570
Input power (W)	354	365
EER (kcal/Wh)	1.28	1.56
COP (W/W)	1.49	1.81
Current (A)	2.05	2.09

**TEST CONDITIONS**

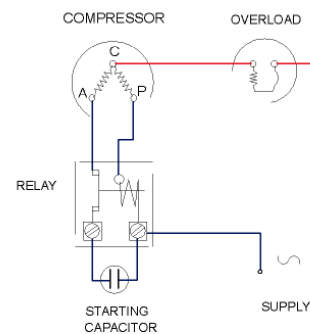
Evaporating temp. (°C)	5.0	7.2
Condensing temp. (°C)	55.0	55.0
Liq.t. entering expan. (°C)	55.0	46.0
Ambient t. and return (°C)	32.0	35.0
Tens/Freq (V/Hz)	220V 50Hz	220V 50Hz

**ELECTRICAL COMPONENTS**

Relay	2014 127.	
Pick-Up (A)	4,80	
Drop-Out (A)	4,10	
Protector	MRP56AMK	T0057
Current (A)	9.4	8.5
Time check (seg)	7.5-14	7.5-14
Disc temp. (Open/Close) (°C)	105.0 / 61.0	105.0 / 61.0
Starting capacitor (μF/V)/F/V)	47- 56 / 330	

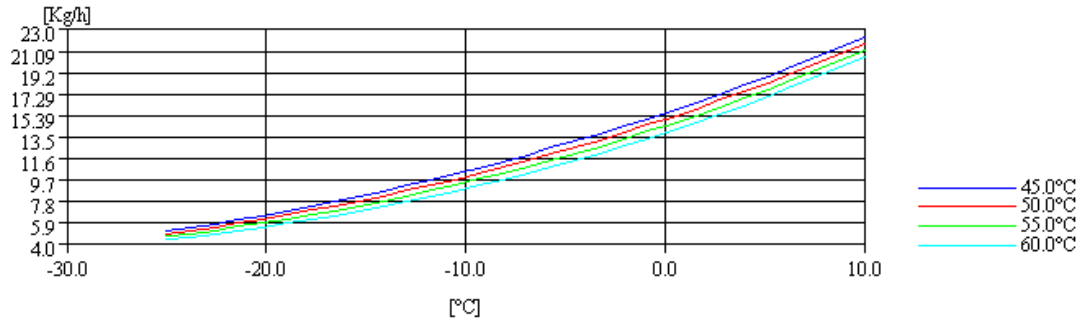
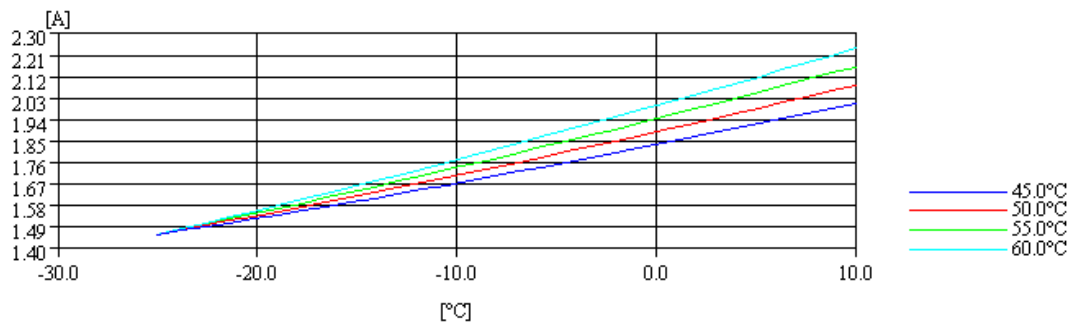
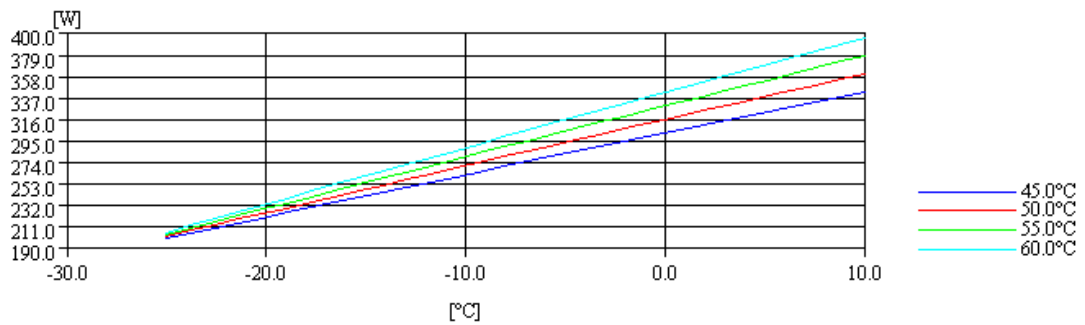
**DIMENSIONS AND ELECTRICAL DIAGRAM**


DESIGNATION	INTERNAL DIAM. (MM)
1	Suction/Service 6,5
2	Service/Suction 6,5
3	Discharge 4,9

**CSIR**


**TEST CONDITIONS**

Voltage/frequency	220V 50Hz
Ambient t. and return	35 °C
Liq.t. entering expan.	Subcooling 9 K

**MASS FLOW**

**INTENSITY**

**CONSUMPTION**

**COOLING CAPACITY**
