

Temperature calibration in AKODATA devices

Process to follow when an AKODATA device requires calibration.

- **AKO-59810/1:** Temperature sensor inside (Ambient temperature)
- **AKO-59820/1:** Temperature sensor inside and outside (Ambient temperature + outside temperature)

The following is necessary for calibration:

- Access to the **akonet.cloud** platform
- A standard temperature master gauge

Step 1

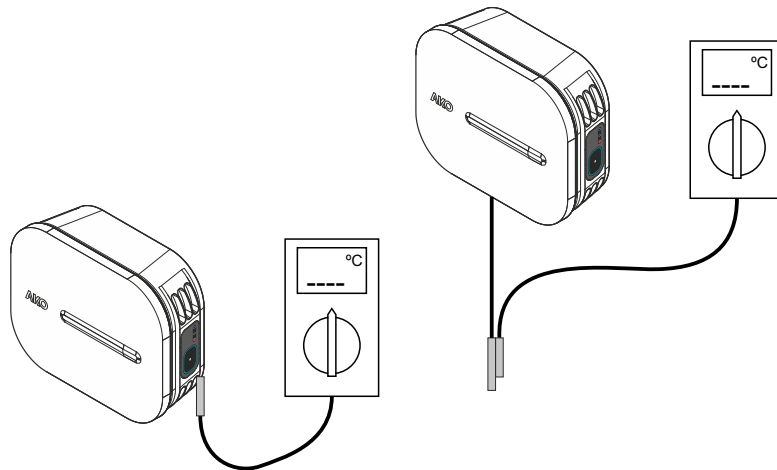
Confirm that the AKODATA device is operating correctly on the **akonet.cloud** platform. Confirm that the measurement is enabled.

Step 2

Locate the AKODATA device inside the facility and ensure it is not near any air currents or elements that could affect the temperature.

Step 3

Place the Master Gauge as near as possible to the sensor element to be calibrated.

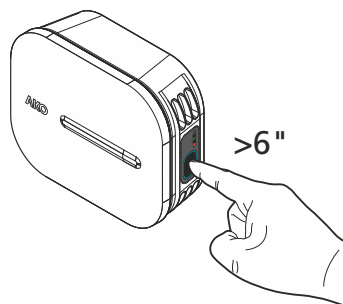


Step 4

Avoid sudden changes in temperature around the sensor element for 30 minutes.

Step 5

Force a temperature reading and its upload to the **akonet.cloud** platform.



Step 6

Temperature reading of the sensor element via the **akonet.cloud** platform.



Step 7

Temperature reading measured by the Master Gauge.

Step 8

Compare the two values.

AKO ELECTROMECÁNICA, S.A.L.
 Avda. Roquetes, 30-38
 08812 • Sant Pere de Ribes.
 Barcelona • Spain.

Tel.: +34 902 333 145
 Fax: +34 938 934 054
www.ako.com

We reserve the right to supply materials that might vary slightly to those described in our Technical Sheets. Updated information is available on our website.